



G-4610 Beecher Road Flint, MI 48532
 Phone (810) 732-7870 Fax (810) 732-9773
www.qcdcwws.com

OFFICE USE ONLY

Permit Number
Date Issued
Expiration Date
File Number

****This does not constitute as the permit.**

RESIDENTIAL SOIL EROSION & SEDIMENTATION CONTROL PERMIT APPLICATION

1. APPLICANT (Please check if applicant is the landowner or designated agent*)

<input type="checkbox"/> Landowner	NAME:	EMAIL:	
<input type="checkbox"/> Designated Agent			
ADDRESS:			
CITY:	STATE:	ZIP:	PHONE:

2. LOCATION

SECTION	Township - T__N	<input type="checkbox"/> CITY <input type="checkbox"/> TOWNSHIP <input type="checkbox"/> VILLAGE	PROPERTY TAX ID #
	Range - R__E		
SUBDIVISION:	LOT #	STREET ADDRESS:	

3. PROPOSED EARTH CHANGE

Project Type: Residential <input type="checkbox"/> Industrial <input type="checkbox"/> Multi-Family <input type="checkbox"/> Land Balancing <input type="checkbox"/> Commercial <input type="checkbox"/>			
Describe Project		Size of Earth Change (Acres, Linear feet or square feet)	
Name of and distance to nearest Lake, Stream, or Drain	Date Project to start	Date Project to be complete	

4. SOIL EROSION AND SEDIMENTATION CONTROL PLAN (Refer to Rule 323.1703 of Part 91)

Note: Two complete set of plans must be provided prior to issuance of a permit. Submit one copy for review.	Estimated Cost of Erosion and Sedimentation Control	
	Plan Preparer's Name	Phone #

5. PARTIES RESPONSIBLE FOR EARTH CHANGE

Name of Landowner (if not provided in Box. 1 above)		Address		
Email:				
City	State	Zip	Phone #	
Name of Individual "On Site" Responsible for Earth Change			Company Name	
Email:				
Address	City	State	Zip	Phone

6. PERFORMANCE DEPOSIT (If required by the permitting agency)

Amount Required \$:				
Name of Surety Company:				
Address	City	State	Zip	Phone

Note: If an individual homeowner/landowner (owning not more than 2 lots) is undertaking an earth change on their residential property or single family lot, a security may be required at the discretion of GCDC-WWS. If no security is required, the homeowner/landowner shall provide written authorization allowing GCDC-WWS to enter onto their property and perform any necessary work to gain Part 91 compliance in the event the site is in noncompliance. The homeowner/landowner must also acknowledge in writing that a lien will be placed on their property for the cost of the work done by GCDC-WWS.

When a contractor is performing the work, a security is required in the amount of \$3,000.00 per acre/or part of, shall be posted and retained until such time as the SESC permit is considered closed by GCDC-WWS.

7. NOTICE TO APPLICANT

I understand that if a soil erosion and sedimentation control permit OR a waiver of a soil erosion and sedimentation control permit is issued, the above-mentioned property is not exempt from enforcement procedures under Part 91, of Act No. 451 of the Public Acts of 1994, as amended, being MCL § 324.32501 *et. seq.*

I hereby acknowledge that if a soil erosion and sedimentation control permit OR a waiver of a soil erosion and sedimentation control permit is issued, I hereby voluntarily grant the employees of the Genesee County Drain Commissioner's Office, Division of Water and Waste Services, or their designated agents permission to enter onto my property as set forth herein to ensure that the project conforms to the reason stated above as to why the proposed project qualifies for a soil erosion and sedimentation permit waiver. I further understand that if I revoke my consent for the employees of the Genesee County Drain Commissioner's Office, Division of Water and Waste Services, or their designated agents to enter onto the property set forth herein, the permit waiver is automatically revoked, I will need to resubmit a new soil erosion and sedimentation permit application or waiver certification, and I must cease all earth moving activities on the property.

I further understand that if I continue to perform earth moving activities on the property after revoking my consent for the employees of the Genesee County Drain Commissioner's Office, Division of Water and Waste Services, or their designated agents to enter onto the property set forth herein, I may be subject to one or more of the enforcement procedures set forth in Part 91 of Act No. 451 of the Public Acts of 1994, as amended, and the administrative rules promulgated thereunder, including, but not limited to, being issued a civil infraction citation, having an injunction issued to prevent any further earth moving activities on the aforementioned property, the right of the Genesee County Drain Commissioner's Office, Division of Water and Waste Services or its agents to enter onto my property to install soil erosion and sedimentation control procedures and lien the property for all costs associated with installing the soil erosion and sedimentation control procedures, and/or the forfeiture of any security submitted in the amount required to bring the property into compliance with Part 91 of Act No. 451 of the Public Acts of 1994, as amended.

I hereby acknowledge that the information contained herein is truthful and accurate to the best of my knowledge. I understand that if I knowingly make any false statement in this application it may result in a civil fine of not more than \$10,000.00 per day for each violation.

I (we) affirm that the above information is accurate and that I (we) will conduct the above-described earth change in accordance with Part 91, Soil Erosion and Sedimentation Control, of the Natural Resource and Environmental Protection Act, 1994 PA 451, as amended, applicable local ordinances, and the documents accompanying this application.

Landowner's Signature	Print Name	Date
Designated Agent's Signature*	Print Name	Date

- Designated agent must have a written statement from landowner authorizing him/her to secure a permit in the landowner's name.

OFFICE USE ONLY

LOG NO: _____

DATE: _____

**Genesee County Drain Commissioner Division of Water and Waste Services
RESIDENTIAL Soil Erosion and Sedimentation Control Plan Submittal Checklist**

All SESC plans submitted to this office shall at a minimum be accompanied by the following information.

1. ____ Soil Erosion and Sedimentation Control application review fee. Fee schedule is listed below. Checks shall be payable to the Genesee County Drain Commissioner's Office.
Application Review Fee
Single Family Residential: \$ 35.00
2. ____ Legal description, tax I.D. number and/or survey of site.
3. ____ A SESC site plan (scale of not more than 1"=200' on 24"x36" sheets) of the property with the items below clearly labeled :(Residential can be submitted on letter or legal paper)
 - A. ____ Name and address of Applicant. Name and address of landowner.
 - B. ____ Project Name, location, proximity to waters of the State (lake, stream, drain, wetlands) and (the 100 year floodplain contour for those waters for commercial applications only).
 - C. ____ Location map, NORTH arrow and drawing scale.
 - D. ____ Limits of earth change delineated and clearly labeled.
 - E. ____ Existing and proposed contours. If unchanged so state.
 - F. ____ Existing and proposed on-site and off-site (within drainage area of earth change) drainage and dewatering facilities including temporary dewatering shall be clearly labeled and identified.
 - G. ____ Predominant land features shall be labeled on the drawings. (Buildings, rivers, streams, etc.)
 - H. ____ Existing on-site vegetation (type and location).
 - I. ____ Soil stock pile locations.
 - J. ____ Description of installation and location of all temporary and permanent erosion control measures, with measures clearly drafted and labeled with the (Michigan Unified Keying System and GCDC-WWS Specifications for commercial applications only).
 - K. ____ A program proposal for the continued maintenance of all permanent soil erosion and sediment control measures that remain after project completion.

L. ___ Person responsible for continued maintenance once permit is closed

Name: _____
Address: _____
Phone #: _____
Email address: _____

4. ___ A topographic map with the affected area clearly labeled.
5. ___ Existing soils information, with project area clearly labeled. (Soils Map)
6. ___ A completed Soil Erosion and Sedimentation Control application.
7. ___ A completed construction and maintenance schedule including a plan for permanent stabilization.
8. ___ A copy of any submitted MDEQ permit applications (as applicable) required for completing earthwork within the boundaries of waters of the state.
9. ___ A copy of sedimentation basin capacity calculation for sites that require sedimentation basins. (This may not be required for Residential Properties)

I hereby certify that the above information has been provided with the submitted plans.

Name of Party Preparing Checklist: _____

Signature: _____ Date: _____

OFFICE USE ONLY

This application review packet will be reviewed for completeness within 5 business days of being received. If the application review packet is found to be incomplete it will be returned in its entirety to the entity that made the submission.

Dated Received: _____

Is this application complete? YES NO

Dated Verified: _____

SESC Detailed Review:

Sign: _____ Date: _____

Project Engineer Authorization to issue SESC Permit: _____
(Commercial SESC ONLY)

Date: _____

Note: It is necessary to submit only one set of plans for review

REVIEWER COMMENTS:

SESC CONSTRUCTION AND MAINTENANCE SCHEDULE

Project Name: _____

Anticipated Start Date: _____

Anticipated End Date: _____

Construction Schedule

Construction Sequence	Jan	Feb	Mar	Apr	May	Jun	Jul	Aug	Sep	Oct	Nov	Dec	Notes
Temporary SESC Measures													
Building Demolition													
Strip and Stockpile													
Rough Grading													
Underground Utilities													
Road Installation													
Building Construction													
Permanent SESC Measures													
Final Grade													
Landscaping													

Maintenance Schedule

Maintenance Sequence	Jan	Feb	Mar	Apr	May	Jun	Jul	Aug	Sep	Oct	Nov	Dec	Notes
Street Sweeping													
Silt Fencing													
Maintain Buffer Strips													
Inlet Structures													
Seeding and Mulch													
Sediment Basins													
Rip-Rap													
Remove Temporary Measures													

Seeding and Planting Schedule

Temporary: (Refer to Tables 4 & 6 in MDEQ "Guidelines for Vegetative Erosion control" included with this packet)

Area on Plan	Mix #	Common Name	Natural Drainage Class Suitability	Suitable Uses	Rate lb/acre

Permanent: (Refer to Tables 4 & 6 in MDEQ "Guidelines for Vegetative Erosion control" included with this packet)

Area on Plan	Mix #	Common Name	Natural Drainage Class Suitability	Suitable Uses	Rate lb/acre

Trees and Shrubs: (Refer to Table 7 in MDEQ "Guidelines for Vegetative Erosion control" included with this packet)

Area on Plan	Quantity	Common Name	Scientific Name	Drainage Class	Notes

INTENTIONALLY LEFT BLANK

EXAMPLE SINGLE FAMILY HOME SITE PLAN MINIMUM GUIDE FOR RESIDENTIAL SESC APPLICATION

HOUSE PLOT PLAN FOR:
JOE SMITH
1111 MAIN STREET
FLINT, MI 48503

LOT 74 OF "MORIDAN ACRES" AS
RECORDED IN LIBER 55, PAGES
222-225

NOTE: THIS EXACT
EXAMPLE PAGE IS NOT
TO BE INCLUDED IN
THE PERMIT.

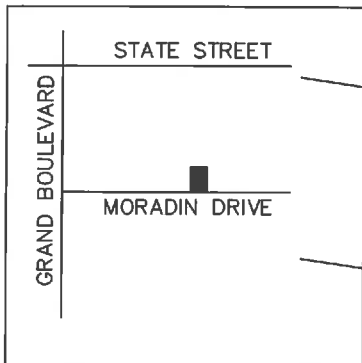


1" = 30'

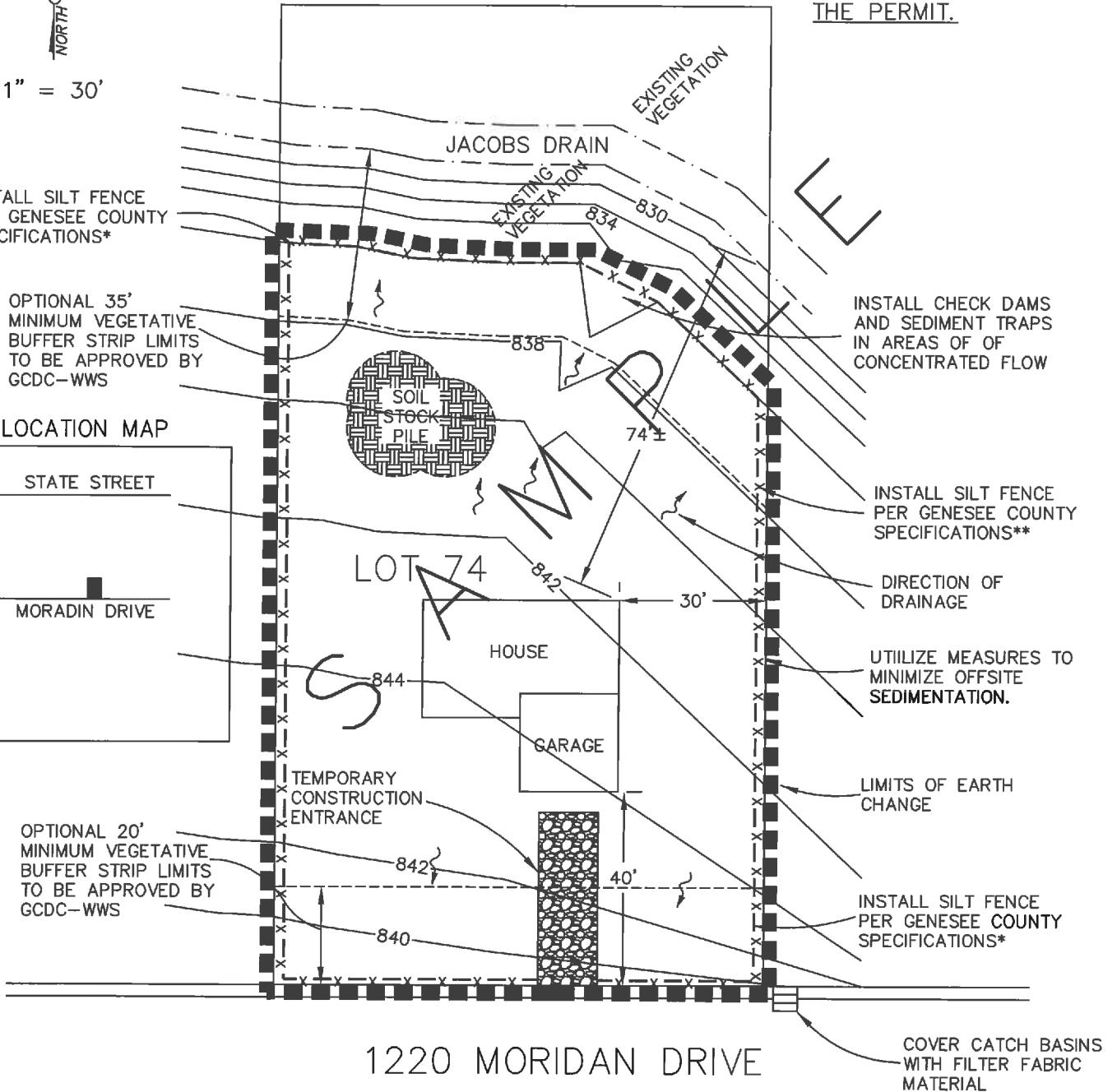
INSTALL SILT FENCE
PER GENESEE COUNTY
SPECIFICATIONS*

OPTIONAL 35'
MINIMUM VEGETATIVE
BUFFER STRIP LIMITS
TO BE APPROVED BY
GCDC-WWS

LOCATION MAP



OPTIONAL 20'
MINIMUM VEGETATIVE
BUFFER STRIP LIMITS
TO BE APPROVED BY
GCDC-WWS



INSTALL CHECK DAMS
AND SEDIMENT TRAPS
IN AREAS OF OF
CONCENTRATED FLOW

INSTALL SILT FENCE
PER GENESEE COUNTY
SPECIFICATIONS**

DIRECTION OF
DRAINAGE

UTILIZE MEASURES TO
MINIMIZE OFFSITE
SEDIMENTATION.

LIMITS OF EARTH
CHANGE

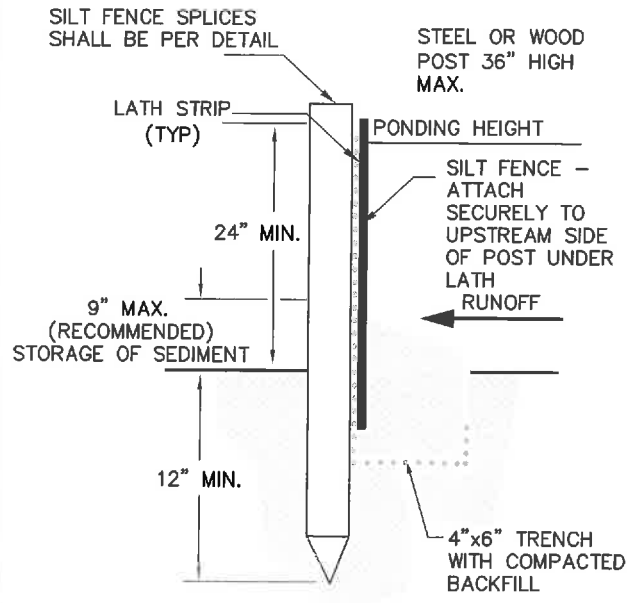
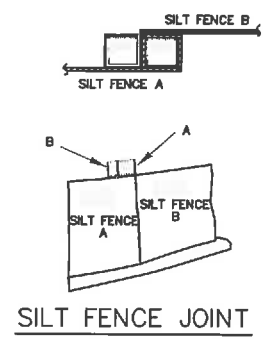
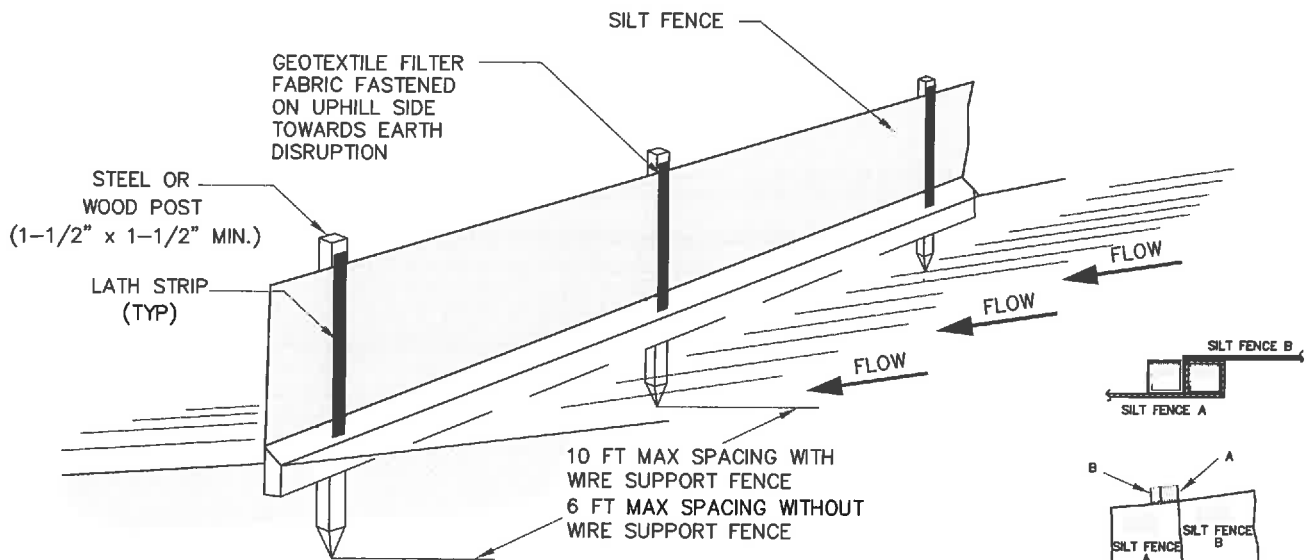
INSTALL SILT FENCE
PER GENESEE COUNTY
SPECIFICATIONS*

COVER CATCH BASINS
WITH FILTER FABRIC
MATERIAL

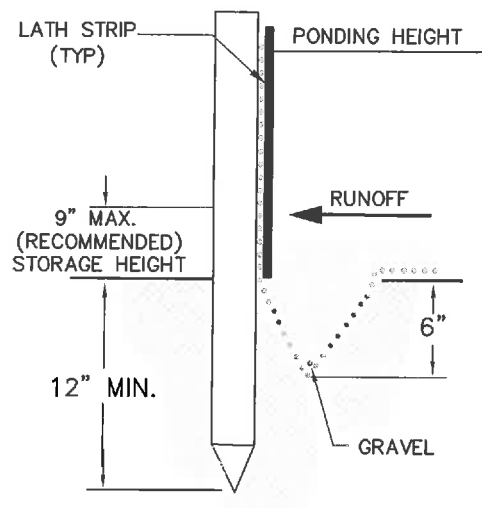
* SILT FENCE IS NOT NECESSARY SO LONG AS A MINIMUM THICK 20' VEGETATIVE BUFFER STRIP IS MAINTAINED DURING CONSTRUCTION.

** SILT FENCE IS NOT NECESSARY SO LONG AS A MINIMUM THICK 35' VEGETATIVE BUFFER STRIP IS MAINTAINED ALONG ALL WATERS OF THE STATE DURING CONSTRUCTION.

NOTE: THE WIDTH OF THE VEGETATIVE BUFFER STRIPS WILL BE MODIFIED PER ON-SITE CONDITIONS AND BE APPROVED BY GCDC-WWS.



STANDARD DETAIL
TRENCH WITH NATIVE BACKFILL



ALTERNATE DETAIL
TRENCH WITH GRAVEL

APPLICATIONS

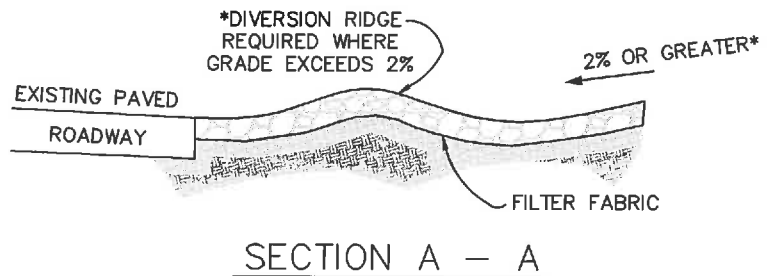
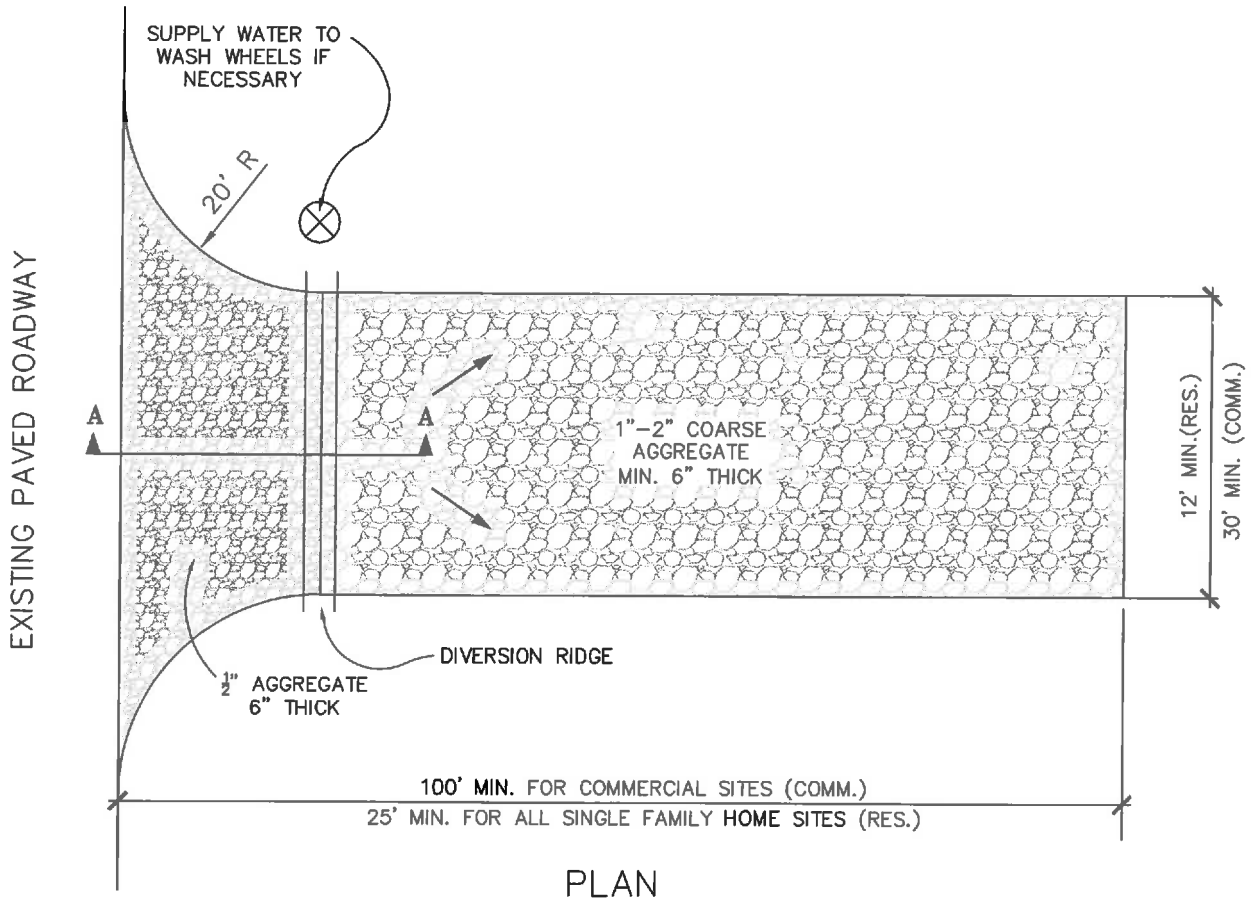
1. INSTALLED TO REDUCE SEDIMENT LADEN SURFACE RUNOFF FROM LEAVING THE PROPERTY OF A CONSTRUCTION SITE INVOLVING DISTURBED EARTH.
2. DIVERSIONARY STRUCTURE.

DESIGN

1. INSTALL AROUND THE BASE OF SOIL STOCKPILES.
2. UTILIZE FOR SHEET FLOW ONLY.

DESIGN (CONT)

3. INSTALL ON DOWN STREAM SIDE OF CONSTRUCTION.
4. SILT FENCE SHALL BE PLACED ON SLOPE CONTOURS TO MAXIMIZE PONDING EFFICIENCY.
5. IF POSSIBLE LOCATE FENCE 10-FT. FROM TOP OF SLOPE, WETLAND OR WATER BODY.
6. JOIN SECTIONS OF SILT FENCE BY WRAPPING THE ENDS TOGETHER.



APPLICATIONS

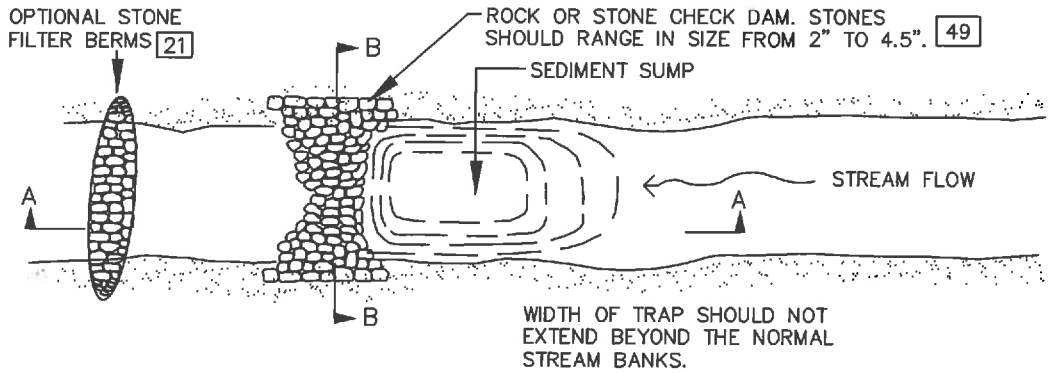
1. ASSISTS IN REMOVING SOIL FROM THE TIRES OF CONSTRUCTION EQUIPMENT/VEHICLES WHEN EXITING THE CONSTRUCTION SITE. THIS REDUCES TRACKING EXCESSIVE SEDIMENT/SOIL ONTO THE ADJACENT ROAD.

DESIGN

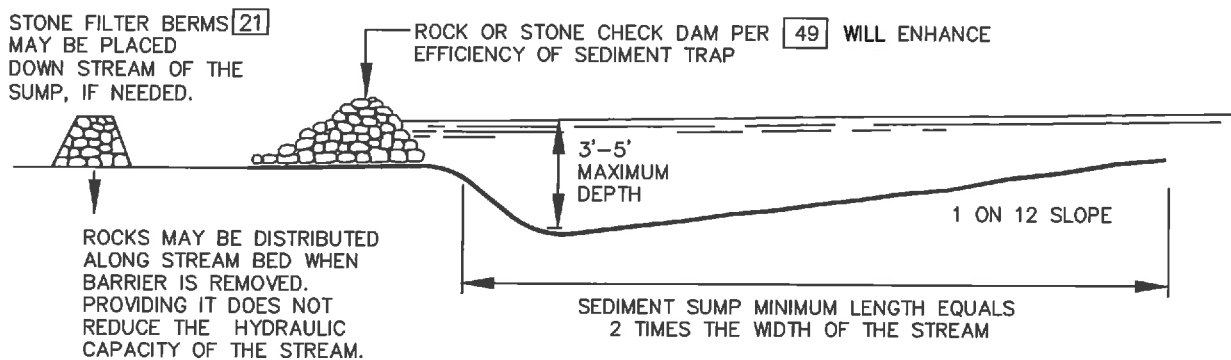
1. THE ENTRANCE SHALL BE MAINTAINED IN A CONDITION THAT WILL PREVENT TRACKING OR FLOWING OF SEDIMENT ONTO PUBLIC RIGHTS-OF-WAY. THIS MAY REQUIRE TOP

DESIGN (CONT)

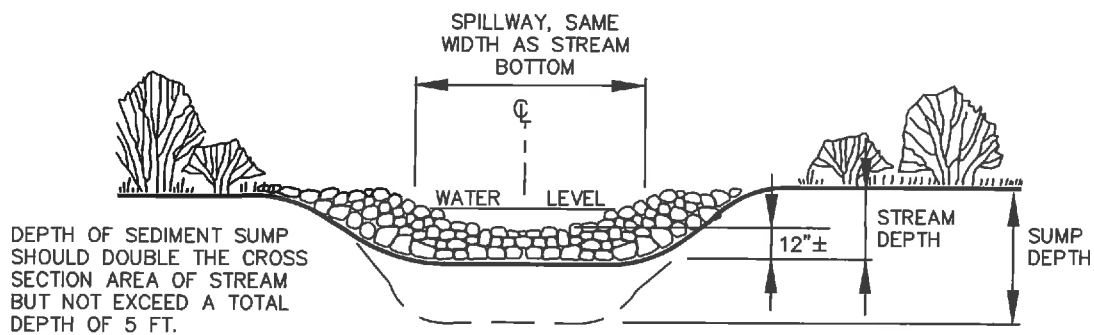
- DRESSING, REPAIR AND/OR CLEANOUT OF ANY MEASURES USED TO TRAP SEDIMENT.
2. WHEN NECESSARY, WHEELS SHALL BE CLEANED PRIOR TO ENTRANCE ON PUBLIC RIGHTS-OF-WAY.
3. WHEN WASHING IS REQUIRED, IT SHALL BE DONE ON AN AREA STABILIZED WITH CRUSHED STONE THAT DRAINS INTO AN APPROVED SEDIMENT TRAP OR SEDIMENT BASIN.



PLAN VIEW



SECTION A - A



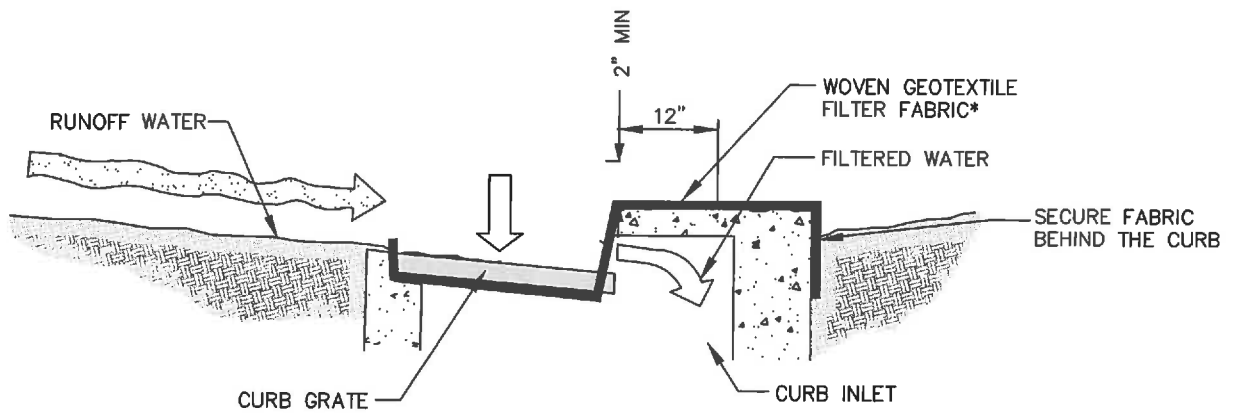
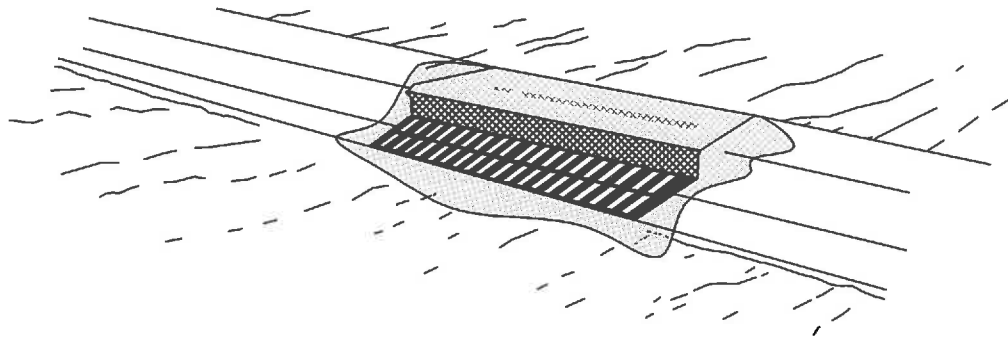
SECTION B - B

APPLICATION

1. FLOWING STREAMS.

DESIGN

1. TRAP DESIGN FOR APPROXIMATELY 170 FT³ OF SEDIMENT.
2. REMOVED SEDIMENT AND RESTORE ORIGINAL CAPACITY WHEN SUMP IS 50% FULL.
3. STONE SHALL BE MAINTAINED AND REPAIRED WHEN DAMAGE OR DISPLACED.
4. WARNING! THIS DEVICE MAY CAUSE FLOODING OF ADJACENT PROPERTY.



APPLICATION

1. INLETS AT CURB OPENINGS.

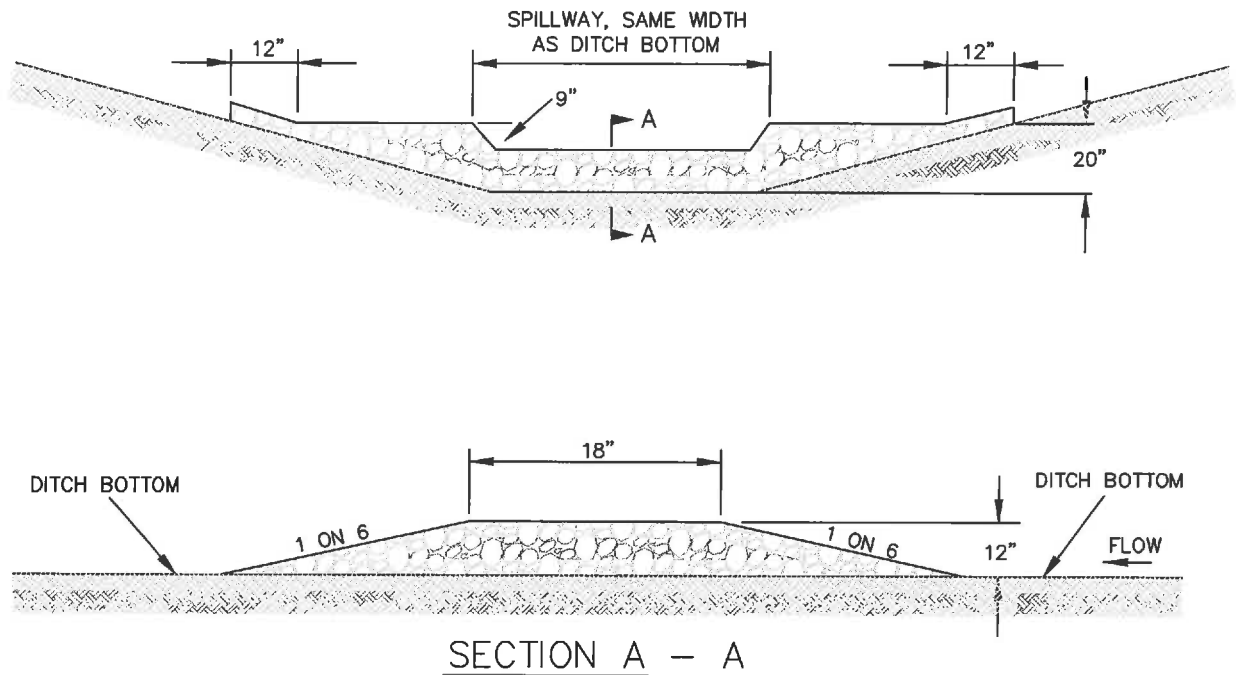
* NOTE *

DO NOT USE SILT FENCE IN LIEU OF FILTER FABRIC FOR THIS APPLICATION.

DESIGN

1. FILTER BAGS MAY BE PLACED IN THE CATCH BASIN AS AN ALTERNATE.
2. WARNING! THIS DEVICE MAY CAUSE FLOODING OF ADJACENT PROPERTIES.
3. SERVICE CLEAN AND REPAIR AFTER EACH STORM EVENT.

FABRIC FILTER CURB INLET PROTECTION



APPLICATION

1. ACROSS DITCH LINES AND LOW CONCENTRATED FLOW AREAS.

DESIGN

1. CHECK DAM STONES:
2" TO 4" SIZE FOR DITCH GRADE LESS THAN 2%.
3" TO 8" SIZE FOR DITCH GRADES 2% OR GREATER.
2. APPROXIMATELY 90% OF STONE SIZE SHALL BE BETWEEN THE RANGES INDICATED. NO STONES GREATER THAN 8" SHALL BE ALLOWED.
3. SEDIMENT TRAPS MAY BE INSTALLED IMMEDIATELY UP SLOPE TO INCREASE ABILITY TO COLLECT SEDIMENT.
4. IF MULTIPLE CHECK DAMS ARE USED, THE GENERAL GUIDE TO SPACING IS THAT THE CREST OF THE DOWN SLOPE CHECK DAM SHOULD EQUAL THE ELEVATION OF THE TOE OF THE UP SLOPE CHECK DAM.

DESIGN (CONT)

5. CHECK DAMS SHALL BE REMOVED IN THEIR ENTIRETY WHEN THE SOIL IS ADEQUATELY STABILIZED. ANY DAMAGE CAUSED DURING REMOVAL MUST BE REPAIRED. IF DIRECTED BY THE ENGINEER/OWNER, CHECK DAMS MAY BE SPREAD OUT ON THE DITCH LOCATION PROVIDING THAT THE DITCH BOTTOM ELEVATION IS NOT INCREASED BY MORE THAN 6".
6. STONE SHALL BE MONITORED AND REPAIRED WHEN DAMAGED OR DISPLACED.
7. ALTERNATE: A MANUFACTURED BERM CAN INSTALLED IF APPROVED BY WWS. SPACING TO BE PER MANUFACTURER'S RECOMMENDATION.
8. WARNING THIS DEVICE MAY CAUSE FLOODING OF ADJACENT PROPERTY.